
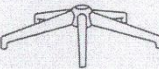
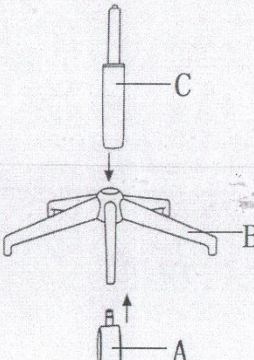
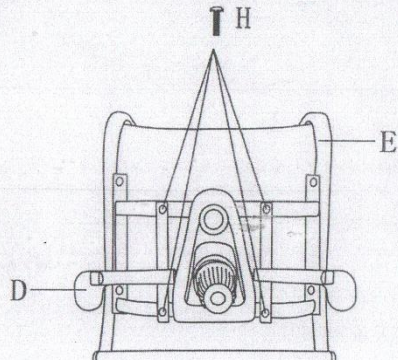

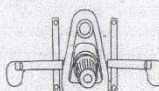
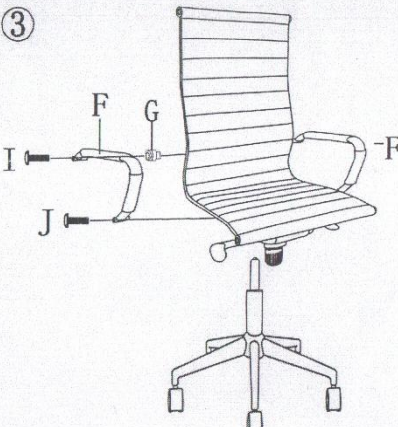
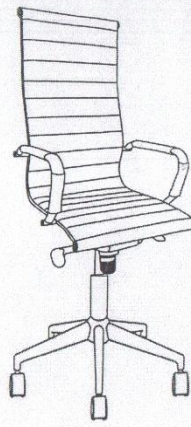
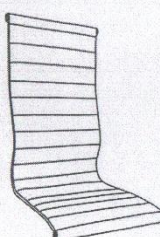
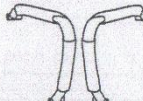






Инструкция по сборке

ASSEMBLE INSTRUCTION

<p>Ax5</p> 	<p>Bx1</p> 	<p>①</p> 	<p>②</p> 	
<p>Cx1</p> 	<p>Dx1</p> 	<p>③</p> 	<p>④</p> 	
<p>Bx1</p> 	<p>Fx1(L&R)</p> 			
<p>Gx2</p> 				
<p>Hx4</p>  <p>M8*20mm</p>	<p>Ix2</p>  <p>M8*55mm</p>	<p>Jx2</p>  <p>M8*50mm</p>		
<p>Kx1</p> 